



USER MANUAL



**PORTABLE
SPEAKER SYSTEM**

X-705

Congratulations on your purchase of the REAL-EL products!

COPYRIGHT

© 2024. ENEL GROUP OU.

This Manual and information contained in are copyrighted. All rights reserved.

TRADEMARKS

All trademarks are the property of their legal holders.

CONTENTS

1. BUYER RECOMMENDATIONS	1
2. PACKAGE CONTENTS	1
3. SAFETY PRECAUTIONS	2
4. TECHNICAL DESCRIPTION	2
5. CONNECTION AND OPERATION	3
6. TECHNICAL SPECIFICATIONS	4

1. BUYER RECOMMENDATIONS

- Unpack the device carefully. Make sure there are no accessories left in the box. Check up the device for damage; if the product was damaged during transportation, address the firm, which carried out the delivery; if the product functions incorrectly, address the dealer at once.
- Check up the package contents and availability of the warranty card.
- Do not switch on the speaker system immediately after you bring it into a room from environment with negative temperature! After unpacking, the speaker system should be kept in conditions of room temperature for at least 4 hours.
- Before installing and using the speaker system, read this Manual carefully and keep it for future reference.

2. PACKAGE CONTENTS

- Portable speaker system — 1 pc
- USB power cable — 1 pc
- User manual — 1 pc
- Warranty card — 1 pc

3. SAFETY PRECAUTIONS

- Do not open the device and do not perform repairs by yourself. Service and repairs should be performed only by qualified specialists at authorized service centers. The list of authorized service centers is on www.real-el.com
- Make sure that foreign objects do not get inside the holes of the device.
- Protect the device from high humidity, water and dust.
- Protect the device from heating: do not place it closer than 1 m from a heat source. Do not expose it to direct sunlight.
- Do not use any chemical agents for cleaning. Clean it with dry soft cloth only.
- In case of device does not work properly. Please contact place of purchase or service center.

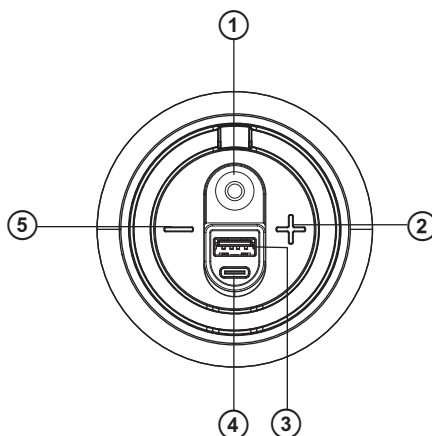
Special features

- IPX 3 waterproof
- TWS function. Connect two speakers together
- RGB illumination
- Bluetooth
- USB input

4. TECHNICAL DESCRIPTION

Control panel

- ① Long press to Turn on the speaker system;
Short press to pause/play;
Double tap to change or turn off the backlight.
- ② Forward (long press);
Volume Up (short press)
- ③ USB Port.
- ④ Type-C Charging port.
- ⑤ Backward (long press);
Volume Down (short press);
Reset (long press 5s)



5. CONNECTION AND OPERATION

Charging the battery

- Before starting operation, the battery must be fully charged. The charger is not included. Charge this device with a DC 5V/ 2A universal charger or with a computer.
- It is not recommended to leave the device connected to the charger for a long time after it is fully charged.

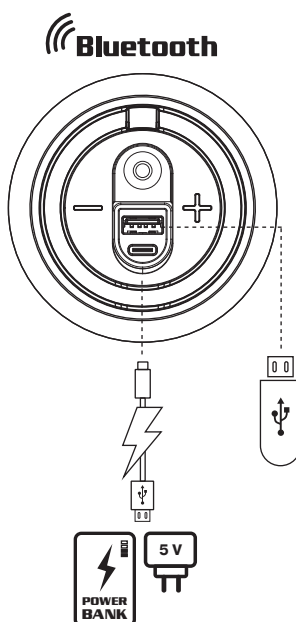
Do not charge the speaker system at low ambient temperatures.

Bluetooth mode

- After turning on, the device will go into search mode.
- Select a Bluetooth device search mode on the audio source (mobile phone, tablet, etc.). The display will show the name «REAL-EL X-705» which need to establish a connection with. After a successful connection, the loudspeaker will sound a signal.

TWS Bluetooth connection

- Turn on two identical «REAL-EL X-705» systems and activate Bluetooth mode.
- On one system, press and hold the + and - buttons at the same time to enter TWS connection mode.
- Connect the system to an audio source.
- To disconnect TWS mode, press and hold the + and - buttons at the same time.



USB playback mode

- Insert the USB flash drive into the corresponding slot, the sound track will be played automatically.

Note:

During Bluetooth playback mode, if USB is connected, Bluetooth will be disabled and USB playback will start. NO POWERBANK FUNCTION.

The USB connector is designed for connecting USB storage media. Do not use this connector to charge other devices - this may cause the speaker system to malfunction.

Reset settings

- If the device does not respond, long press - (5 sec.) to reset.

6. SPECIFICATION

Parameter	Value
Output power (RMS)	5 W
Frequency range	120- 16000 Hz
Dimension of the speaker drivers	Ø 57mm (2.25 inch)
Supported Bluetooth Profiles	V5.4 + A2DP / AVCTP / AVDTP / AVRCP
Connection types	USB / Bluetooth
Power supply	USB Type C / 5 V DC
Battery	Lithium-ion 1800 mAh, DC 3.7 V
Bluetooth operation distance	up to 10 m
Case material	ABS plastic
Dimensions of the product	Ø 86, 146 (h) mm
Weight	0.48 kg

Notes:

- *Technical specifications given in this table are supplemental information and cannot give occasion to claims.*
- *Technical specifications and package contents are subject to change without notice due to the improvement of REAL-EL production.*



Manufacturer: ENEL GROUP OU, Harju maakond, Rae vald, Jüri alevik, Aruküla tee 55a, 75301, Estonia.
© Registered Trademark of ENEL GROUP OU. Estonia.